

LEPS2-20-V-F

外控逻辑阀

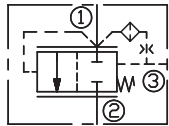
说明 DESCRIPTION

A cartridge-style non-adjustable logic element with external pilot
外控逻辑阀

工作 OPERATION

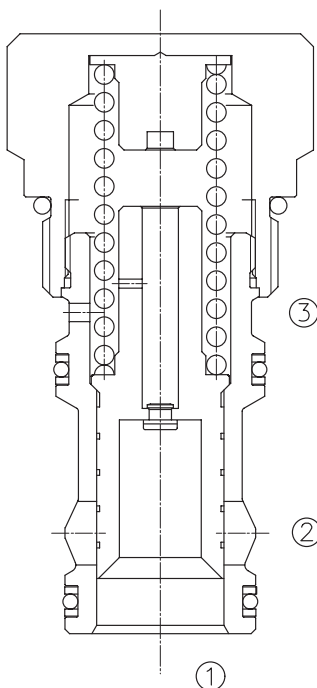
When pressure at ① rises above the selected spring bias pressure against the spool, the valve shifts to allow flow from ① to ② ,Pilot pressure at ③ is additive to the spring bias pressure. The valve may be used in switching or compensation type applications.
当①口的油压克服弹簧设定压力时，油液从①口到②口流动，③口的压力叠加到了弹簧设置上。应用在开关或者补偿场合。

SYMBOL

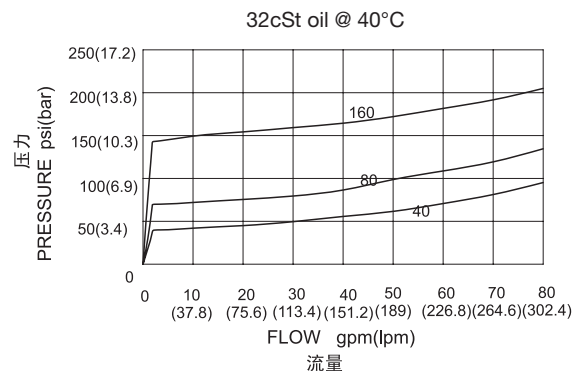


技术参数 SPECIFICATIONS

最大工作压力(Max.Operating Pressure):	290bar
流量(Flow):	See PRESSURE DROP VS.FLOW graph.
内泄漏(Internal Leakage):	82ml/min. max. at 290 bar
温度(Temperature):	-40°F to +250°F(-40°C to +120°C)
过滤(Filtration):	See page (参见) N-1
油液(Fluids):	Mineral-based fluids with viscosities of 7.4 to 420 cSt.(矿物油粘度)
插孔(Cavity):	20-S3, See page M-10
阀块材料(Body Material):	Steel & Ductile iron rated to 350bar 钢和球铁允许使用最大压力350bar



压力 - 流量曲线 PRESSURE DROP VS.FLOW



订货代号 TO ORDER

LEPS2 - 20 - V - F - * * - * *

┌───┐
┌──┐
┌──┐
┌──┐
┌──┐
┌──┐

1
2
3
4
5
6

<p>1 功能 LEPS2= 外控逻辑阀 Cartridge-style Adjustable Logic Element with External Pilot</p>	<p>3 类型 V= 滑阀, 常闭型 Spool, N/C</p>	<p>6 阀块油口 Body Porting 空白 Blank= 不带阀块 None 16T=SAE 16 8G=G 1</p>
<p>2 规格 Size 20=20 规格</p>	<p>4 控制方式 Control F= 固定不可调 Fixed Stroke</p>	<p>其它螺纹油口也是可选择的 Other Porting is Available</p>
	<p>5 差动压力 Differential Pressure 160=160psi(11bar) 80=80psi(5.5bar) 40=40psi(2.8bar)</p>	

安装尺寸 INSTALLATION DIMENSIONS

Unit=Millimeters

H

