

LFR10-2A

流量控制阀， 压力补偿型

说明 DESCRIPTION

A cartridge-style adjustable pressure-compensated flow control valve

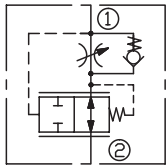
压力补偿可调型， 插装式流量阀

工作 OPERATION

The valve maintains a constant flow within specified accuracies from ① to ② regardless of downstream load pressure. When flow produces a minimum predetermined pressure differential across the compensator spool control orifice, the spool shifts against the spring force to throttle the flow and maintain the flow setting. Reverse flow is not regulated.

不管负载压力如何变化， 从①到②口的流量都能保持在一定的范围内。当油通过固定节流孔时， 引起极小的压力差， 阀芯开始响应负载变化， 通过压力补偿， 可维持精确的流量。油液从②到①反方向流动， 没有压力补偿。

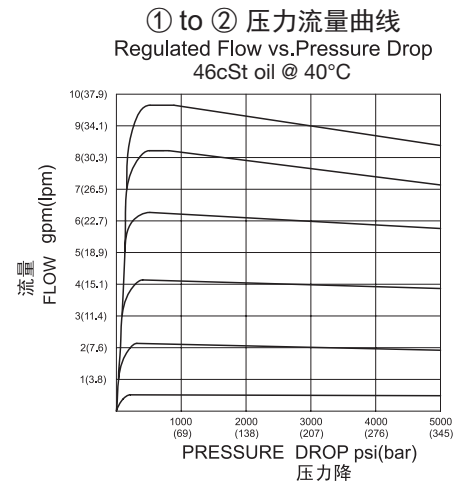
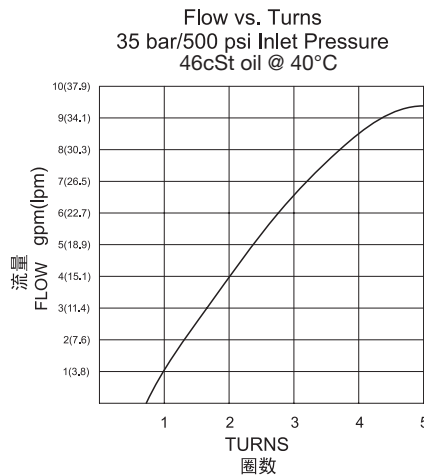
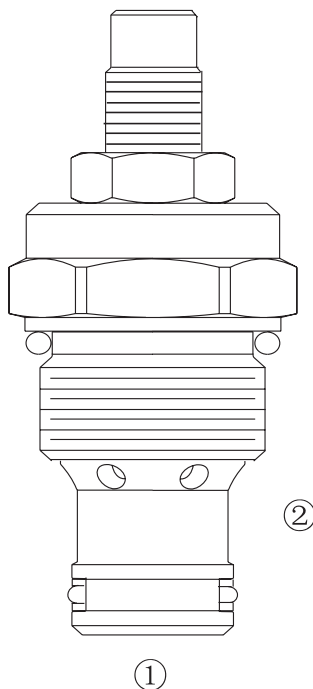
SYMBOL



技术参数 SPECIFICATIONS

工作压力(Operating Pressure):	350 bar
流量设定(Flow Setting):	0.8-34 l/min.
流量控制精度(Flow Maintenance Accuracy):	±10%
温度(Temperature):	-40°F to +250°F(-40°C to +120°C)
过滤(Filtration):	See page (参见) N-1
油液(Fluids):	Mineral-based fluids with viscosities of 7.4 to 420 cSt.(矿物油粘度)
插孔(Cavity):	10-2, See page M-2
阀块材料(Body Material):	Steel & Ductile iron rated to 350bar 钢和球铁允许使用最大压力350Bar

压力 – 流量曲线 PRESSURE DROP VS.FLOW



订货代号 TO ORDER

LFR 10 - 2A - * - * * - * *

┌───┐
└───┘
1

┌───┐
└───┘
2

┌───┐
└───┘
3

┌───┐
└───┘
4

┌───┐
└───┘
5

- | | | |
|--|---|---|
| <p>1 功能
LFR= 压力补偿可调型, 插装式流量阀
Adjustable Pressure-compensated
Flow Control Valve</p> | <p>4 流量设定 Flow Setting
Example:
M20=20lpm
空白 Blank= 工厂设定
Factory setting at 5.7-7.6lpm</p> | <p>5 阀块油口 Body Porting
空白 Blank= 不带阀块 None
6T=SAE6
8T=SAE8
3G=G 3/8
4G=G 1/2</p> |
| <p>2 规格 Size
10=10 规格</p> | | <p>※ 阀块详见章节 K-4
其它螺纹油口也是可选择的
Other Porting is Available</p> |
| <p>3 调节 Adjustment
K= 调节手轮 1.57'Dia Knob
空白 Blank= 内六角调节杆
(Omit for 3/16' Hex Allen head)</p> | | |

F

安装尺寸 INSTALLATION DIMENSIONS

Unit=Millimeters

