

LSV2-08-2 NCS

二位三通电磁阀 双向止回型

说明 DESCRIPTION

A solenoid operated, 2-way, 2-position, normally closed, spool-type cartridge valve.
二位, 三通, 常闭型滑阀式电磁阀

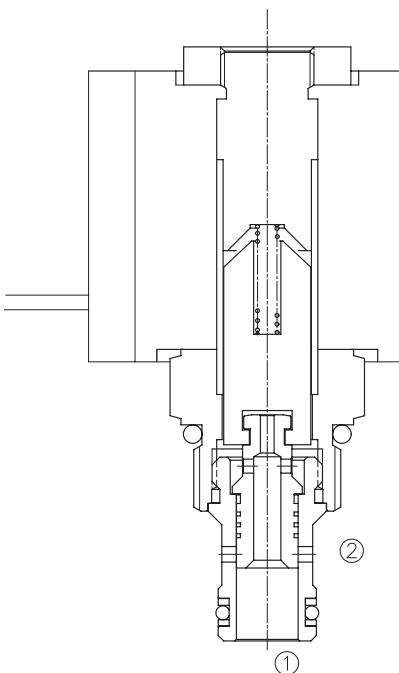
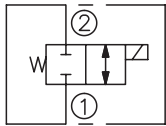
工作 OPERATION

When de-energized, the valve blocks flow in both directions. When energized, the cartridge's spool shifts to allow flow in both directions.
失电时, 此阀截止油液双向流动;
得电时, 阀芯开启, ②到①, ①到②互通。

手控应急 Operation of Manual Override Option

To override, push button in, twist counterclockwise 180° and release. In this position, the valve will remain open in a detented condition. To return to normal operation, push button in, twist clockwise 180° and release. Override will be detented in this position.
请按下按钮, 再逆时针方向旋转 180°, 后松开, ②到①, ①到②互通; 请按下按钮, 再顺时针方向旋转 180°, 后松开, 返回常态。

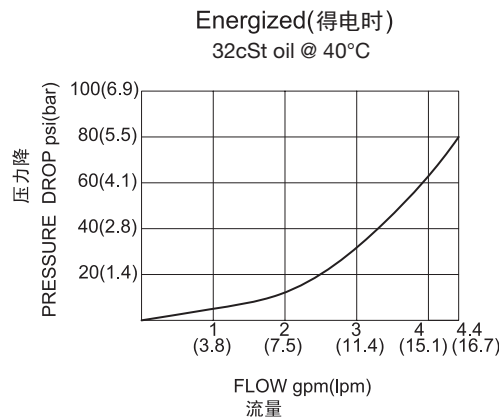
SYMBOL



技术参数 SPECIFICATIONS

工作压力(Operating Pressure):	207bar
流量(Flow):	See PRESSURE DROP VS.FLOW graph.
内泄漏(Internal Leakage):	82 cc/min. (毫升/分) max at 207bar
温度(Temperature):	-40°F to +212°F(-40°C to +100°C)
线圈额定负载(Coil Duty Rating):	Continuous from 85% to 115% of nominal voltage(连续工作电压)
过滤(Filtration):	See page (参见) N-1
油液(Fluids):	Mineral-based fluids with viscosities of 7.4 to 420 cSt.(矿物油粘度)
插孔(Cavity):	08-2, See page M-1
阀块材料(Body Material):	6061-T6 aluminum alloy rated to 207bar, Steel & Ductile iron rated to 350bar 6061-T6铝, 允许使用最大压力207bar 钢和球铁允许使用最大压力350bar

压力 - 流量曲线 PRESSURE DROP VS.FLOW



LSV2 - 08 - 2 NC S - * - * * - * *

┌───┐
┌───┐
┌──┐┌──┐┌──┐┌──┐┌──┐
┌──┐┌──┐
┌──┐

1
2
3
4
5
6
7
8
9

- 1 **功能**
 LSV2= 电磁阀 Solenoid Valve
- 2 **规格 Size**
 08=08 规格
- 3 **流道类型 Flow Path**
 2= 二通
- 4 **模式**
 NC= 常闭 Normally Closed
- 5 **类型**
 S= 滑阀型 Spool
- 6 **手控应急**
 空白 Blank= 无手控应急 None
 M= 手控应急 Manual Override

- 7 **电压 Voltage**
 1=12 VDC
 2=24 VDC
 3=110 VAC
 4=220 VAC
 5=10 VDC
 7=48 VDC
 8=24 VAC
- 8 **线圈连接 Coil Connection**
 D= Double Lead 双线
 S= Single Lead 单线
 H= Hirschmann 三插
 ER= Deutsch Connector(Water-proof Coil)
 德意志插座(防水线圈) IP69K
 E= Single Stud 单接线柱
 B= Double Spade 双插

- 9 **阀块油口 Body Porting**
 空白 Blank= 不带阀块 None
 4T=SAE 4
 6T=SAE 6
 2G=G 1/4
 3G=G 3/8
- ※ 阀块详见章节 K-1
 其它螺纹油口也是可选择的
 Other Porting Is Available

安装尺寸 INSTALLATION DIMENSIONS

Coil Must Be Installed With Letter Up
 安装线圈时，字母必须朝上。

Unit=Millimeters

