

# LSV2-08-2 NOP

## 二位二通电磁阀 常开型

### 说明 DESCRIPTION

A solenoid operated, 2-way, 2-position, normally open, poppet-type cartridge valve.

二位，二通，常开型座阀式电磁阀

### 工作 OPERATION

When de-energized, the valve allows flow from ② to ①. Flow from ① to ② is severely restricted in this mode.

When energized the valve's poppet closes on its seat, blocking flow from ② to ①. The cartridge will allow ① to ② flow after overcoming the solenoid force.

失电时，从②到①方向通，反向被严重节流；

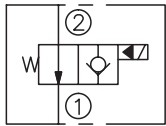
得电时，②到①关闭，当①口压力超过电磁铁力，①到②方向通。

### 手控应急 Operation of Manual Override Option

To override, push button in to activate. To return to normal valve function, release button.

请用工具按下并按住按钮，②到①关闭；松开按钮，返回常态。

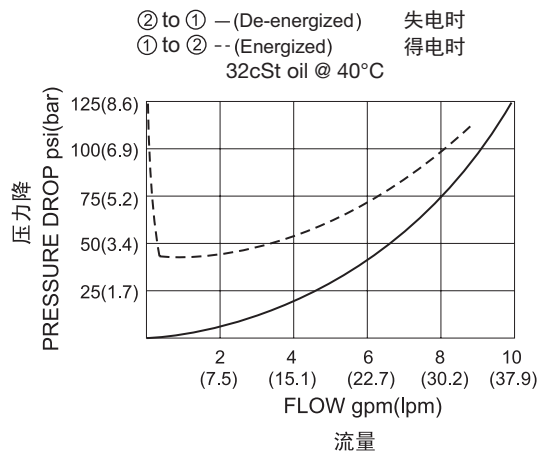
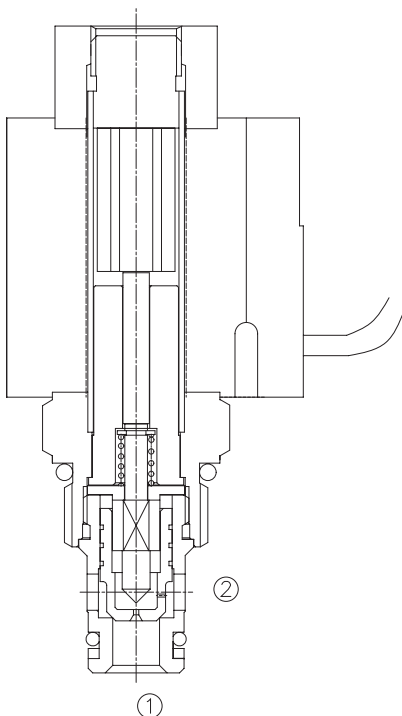
### SYMBOL



### 技术参数 SPECIFICATIONS

最大工作压力(Max. Operating Pressure):	207bar
流量(Flow):	See PRESSURE DROP VS.FLOW graph.
内泄漏(Internal Leakage):	2 drops/min.(滴/分) max. at 207bar
温度(Temperature):	-40°F to +212°F(-40°C to +100°C)
线圈额定负载(Coil Duty Rating):	Continuous from 85% to 115% of nominal voltage(连续工作电压)
过滤(Filtration):	See page (参见) N-1
油液(Fluids):	Mineral-based fluids with viscosities of 7.4 to 420 cSt.(矿物油粘度)
插孔(Cavity):	08-2, See page M-1
阀块材料(Body Material):	6061-T6 aluminum alloy rated to 207bar, Steel & Ductile iron rated to 350bar 6061-T6铝,允许使用最大压力207bar 钢和球铁允许使用最大压力350bar

### 压力 - 流量曲线 PRESSURE DROP VS.FLOW



**LSV2 - 08 - 2 NO P - \* - \* \* - \* \***

┌───┐
┌───┐
┌───┐
┌───┐
┌───┐
┌───┐
┌───┐
┌───┐
┌───┐

1
2
3
4
5
6
7
8
9

- 1** 功能  
LSV2= 电磁阀 Solenoid Valve

---

- 2** 规格 Size  
08=08 规格

---

- 3** 流道类型 Flow Path  
2= 二通

---

- 4** 模式  
NO= 常开 Normally Open

---

- 5** 类型  
P= 锥阀型 Poppet

---

- 6** 手控应急  
空白 Blank= 无手控应急 None  
M= 手控应急 Manual Override

- 7** 电压 Voltage  
1=12 VDC  
2=24 VDC  
3=110 VAC  
4=220 VAC  
5=10 VDC  
7=48 VDC  
8=24 VAC

---

- 8** 线圈连接 Coil Connection  
D= Double Lead 双线  
S= Single Lead 单线  
H= Hirschmann 三插  
ER= Deutsch Connector(Water-proof Coil)  
德意志插座(防水线圈)  
E= Single Stud 单接线柱  
B= Double Spade 双插

- 9** 阀块油口 Body Porting  
空白 Blank= 不带阀块 None  
4T=SAE 4  
6T=SAE 6  
2G=G 1/4  
3G=G 3/8

---

- ※ 阀块详见章节 K-1  
其它螺纹油口也是可选择的  
Other Porting Is Available

**安装尺寸 INSTALLATION DIMENSIONS**

Coil Must Be Installed With Letter Up  
安装线圈时，字母必须朝上。

Unit=Millimeters

