

LSV2-08-3SA

二位三通电磁阀 座阀型 (变速箱用)

说明 DESCRIPTION

A solenoid operated, 3-way, 2-position, poppet-type cartridge valve (For transmission application)

二位，三通，座阀式电磁阀，主要应用于变速箱控制

工作 OPERATION

When de-energized, the valve allows flow from ② to ③, while blocking flow at ①. When energized, the cartridge's poppet shifts to allow flow from ① to ②, while blocking flow at ③.

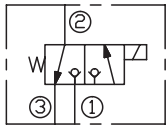
失电时，②和③通，与①不通；得电时，①和②通，与③不通。

手控应急 Operation of Manual Override Option

To override, push button in, twist counterclockwise 180° and release. In this position, valve will remain detented in the shifted condition. To return to normal operation, push button in, twist clockwise 180° and release. Override will be detented in this position.

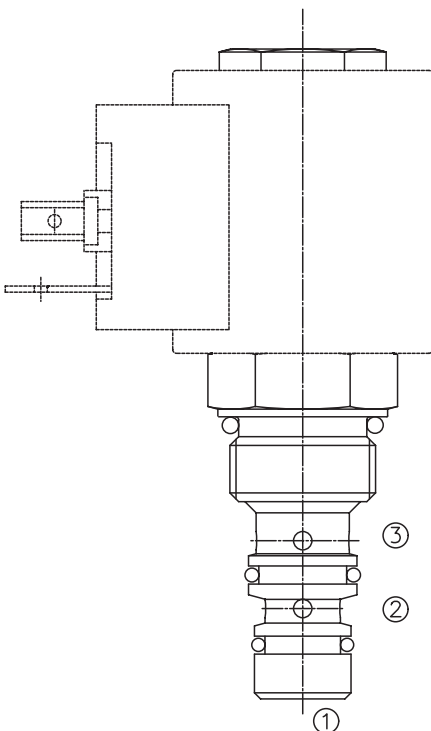
请按下按钮，再逆时针方向旋转 180°，后松开，①和②通，与③不通；请按下按钮，再顺时针方向旋转 180°，后松开，返回常态。

SYMBOL

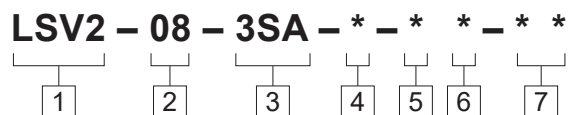


技术参数 SPECIFICATIONS

工作压力(Operating Pressure):	28bar
流量(Flow):	3.5L/min.
内泄漏(Internal Leakage):	2 drops/min.(滴/分) max. at 28bar
温度(Temperature):	-40°F to +212°F(-40°C to +100°C)
线圈额定负载(Coil Duty Rating):	Continuous from 85% to 115% of nominal voltage(连续工作电压)
过滤(Filtration):	See page (参见) N-1
油液(Fluids):	Mineral-based fluids with viscosities of 7.4 to 420 cSt.(矿物油粘度)
插孔(Cavity):	08-3S, See page M-21
阀块材料(Body Material):	6061-T6 aluminum alloy rated to 207bar, Steel & Ductile iron rated to 350bar 6061-T6铝, 允许使用最大压力207bar 钢和球铁允许使用最大压力350bar



压力 - 流量曲线 PRESSURE DROP VS.FLOW



1 功能
LSV2= 电磁阀 Solenoid Valve

2 规格 Size
08=08 规格

3 流道类型 Flow Path
3SA= 三通

4 手控应急
空白 Blank= 无手控应急 None
M= 手控应急 Manual Override

5 电压 Voltage

1=12	VDC
2=24	VDC
3=110	VAC
4=220	VAC
5=10	VDC
7=48	VDC
8=24	VAC

6 线圈连接 Coil Connection

D= Double Lead	双线
S= Single Lead	单线
H= Hirschmann	三插
C= Conduit	带嵌套
ER= Deutsch Connector(Water-proof Coil)	德意志插座(防水线圈)
E= Single Stud	单接线柱
B= Double Spade	双插

7 阀块油口 Body Porting
空白 Blank= 不带阀块 None
4T=SAE 4
6T=SAE 6
2G=G 1/4
3G=G 3/8

其它螺纹油口也是可选择的
Other Porting Is Available

安装尺寸 INSTALLATION DIMENSIONS

Coil Must Be Installed With Letter Up
安装线圈时，字母必须朝上。

Unit=Millimeters

