

# LSV2-10-4 NO

## 二位四通电磁阀 滑阀型

### 说明 DESCRIPTION

A solenoid operated, 4-way, 2-position, spool-type cartridge valve.

二位，四通，滑阀式电磁阀

### 工作 OPERATION

When de-energized, the valve allows flow from ③ to ④ or from ④ to ③ and from ② to ① or from ① to ②. When energized, the cartridge's spool shifts to block flow at all ports.

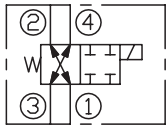
失电时，③和④通，②与①通；得电时，①，②，③和④均关闭

### 手控应急 Operation of Manual Override Option

To override, push button in, twist counterclockwise 180° and release. In this position, valve will remain detented in the shifted condition. To return to normal operation, push button in, twist clockwise 180° and release. Override will be detented in this position.

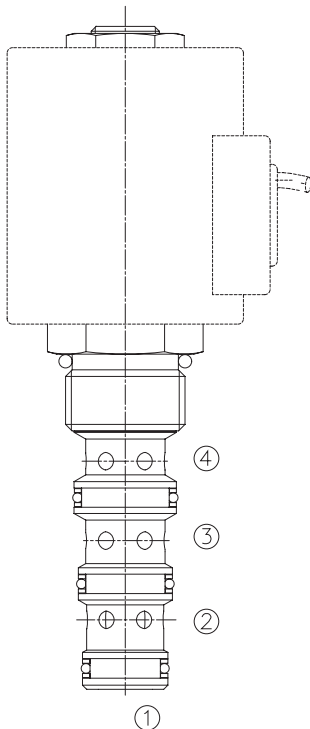
请按下按钮，再逆时针方向旋转 180°，后松开，①②③④均关闭；请按下按钮，再顺时针方向旋转 180°，后松开，返回常态。

### SYMBOL

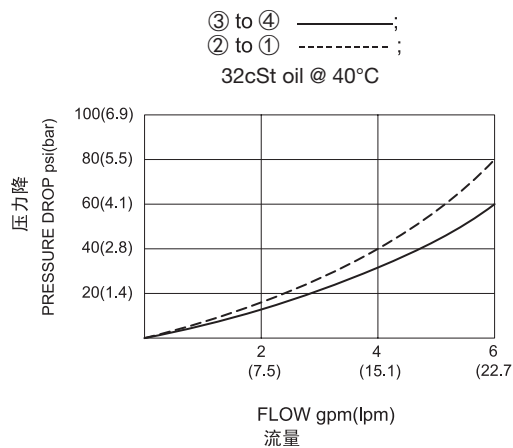


### 技术参数 SPECIFICATIONS

工作压力(Operating Pressure):	207bar
流量(Flow):	See PERFORMANCE CHARACTERISTIC graph.
内泄漏(Internal Leakage):	82cc/min.(毫升/分) max. at 207bar
温度(Temperature):	-40°F to +212°F(-40°C to +100°C)
线圈额定负载(Coil Duty Rating):	Continuous from 85% to 115% of nominal voltage(连续工作电压)
过滤(Filtration):	See page (参见) N-1
油液(Fluids):	Mineral-based fluids with viscosities of 7.4 to 420 cSt.(矿物油粘度)
插孔(Cavity):	10-4, See page M-2
阀块材料(Body Material):	6061-T6 aluminum alloy rated to 207bar, Steel & Ductile iron rated to 350bar 6061-T6铝, 允许使用最大压力207bar 钢和球铁允许使用最大压力350bar



### 压力 - 流量曲线 PRESSURE DROP VS.FLOW



**LSV2 - 10 - 4 NO - \* - \* \* - \* \***

1   
 2   
 3 4   
 5 6 7   
 8

<p><b>1</b> 功能 LSV2= 电磁阀 Solenoid Valve</p>	<p><b>6</b> 电压 Voltage 1=12 VDC 2=24 VDC 3=110 VAC 4=220 VAC 5=10 VDC</p>	<p><b>8</b> 阀块油口 Body Porting 空白 Blank= 不带阀块 None 6T=SAE 6 8T=SAE 8 2G=G 1/4 3G=G 3/8</p>
<p><b>2</b> 规格 Size 10=10 规格</p>	<p><b>7</b> 线圈连接 Coil Connection D= Double Lead 双线 H= Hirschmann 三插 C= Conduit 带嵌套 ER= Deutsch Connector(Water-proof Coil) 德意志插座(防水线圈) B= Double Spade 双插</p>	<p>※ 阀块详见章节 K-6 其它螺纹油口也是可选择的 Other Porting Is Available</p>
<p><b>3</b> 流道类型 Flow Path 4= 四通</p>		
<p><b>4</b> 模式 NO= 常开 Normally Open</p>		
<p><b>5</b> 手控应急 空白 Blank= 无手控应急 None M= 手控应急 Manual Override</p>		

**安装尺寸 INSTALLATION DIMENSIONS**

Coil Must Be Installed With Letter Up  
安装线圈时，字母必须朝上。

Unit=Millimeters

