

# LSV6-12-2 NCSP

二位二通电磁阀 双向止回型

## 说明 DESCRIPTION

A solenoid operated, 2-way, 2-position, normally closed, poppet-type bi-directional cartridge valve.

二位，二通，常闭型座阀式电磁阀

## 工作 OPERATION

When de-energized, the valve blocks flow in both directions. When energized, the poppet shifts to allow flow in either direction.

失电时，此阀截止油液双向流动；

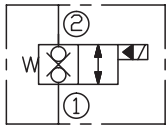
得电时，②到①，①到②互通。

## 手控应急 Operation of Manual Override Option

To override, push button in, twist counterclockwise 180° and release. In this position, the valve will remain open in a detented condition. To return to normal operation, push button in, twist clockwise 180° and release. Override will be detented in this position.

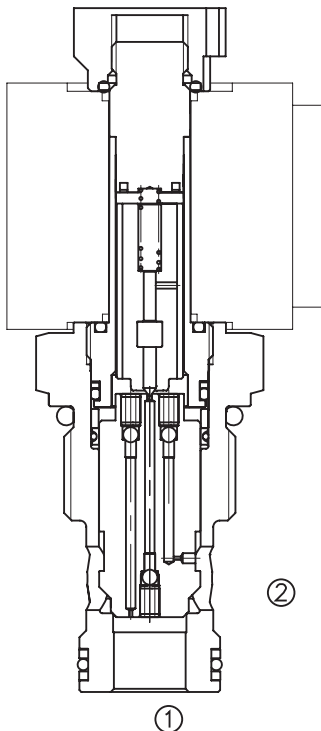
请按下按钮，再逆时针方向旋转 180°，后松开，②到①，①到②互通；请按下按钮，再顺时针方向旋转 180°，后松开，返回常态。

## SYMBOL

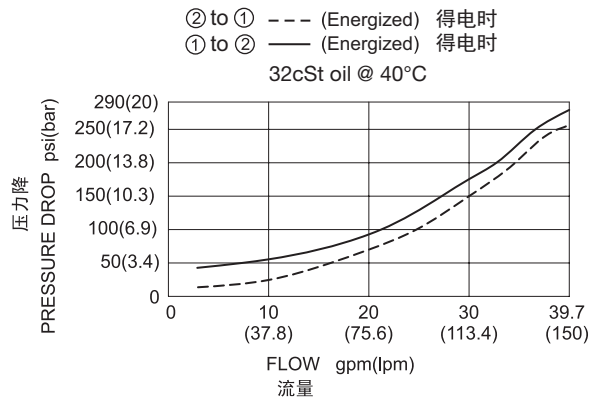


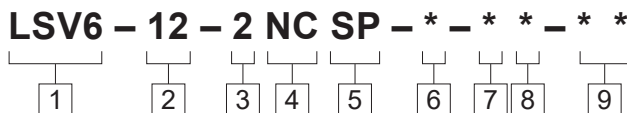
## 技术参数 SPECIFICATIONS

最大工作压力(Max. Operating Pressure):	350bar
流量(Flow):	See PRESSURE DROP VS.FLOW graph.
内泄漏(Internal Leakage):	5drops/min.(滴/分) max. at 350 bar
温度(Temperature):	-40°F to +212°F(-40°C to +100°C)
线圈额定负载(Coil Duty Rating):	Continuous from 85% to 115% of nominal voltage(连续工作电压)
过滤(Filtration):	See page (参见) N-1
油液(Fluids):	Mineral-based fluids with viscosities of 7.4 to 420 cSt.(矿物油粘度)
插孔(Cavity):	12-2, See page M-3
阀块材料(Body Material):	Steel & Ductile iron rated to 350bar 钢和球铁允许使用最大压力350bar



## 压力 - 流量曲线 PRESSURE DROP VS.FLOW





<p><b>1</b> 功能 LSV6= 电磁阀 Solenoid Valve</p>	<p><b>6</b> 手控应急 空白 Blank= 无手控应急 None M= 手控应急 Manual Override</p>	<p><b>9</b> 阀块油口 Body Porting 空白 Blank= 不带阀块 None 16T=SAE 16 8G=G 1</p>
<p><b>2</b> 规格 Size 12=12 规格</p>	<p><b>7</b> 电压 Voltage 1=12 VDC 2=24 VDC 3=110 VAC 4=220 VAC</p>	<p>※ 阀块详见章节 K-8 其它螺纹油口也是可选择的 Other Porting Is Available</p>
<p><b>3</b> 流道类型 Flow Path 2= 二通</p>	<p><b>8</b> 线圈连接 Coil Connection D= Double Lead 双线 H= Hirschmann 三插 ER= Deutsch Connector(Water-proof Coil) 德意志插座(防水线圈)</p>	
<p><b>4</b> 模式 NC= 常闭 Normally Closed</p>		
<p><b>5</b> 类型 SP= 锥阀型 Poppet</p>		

**安装尺寸 INSTALLATION DIMENSIONS**

Coil Must Be Installed With Letter Up  
安装线圈时，字母必须朝上。

Unit=Millimeters

