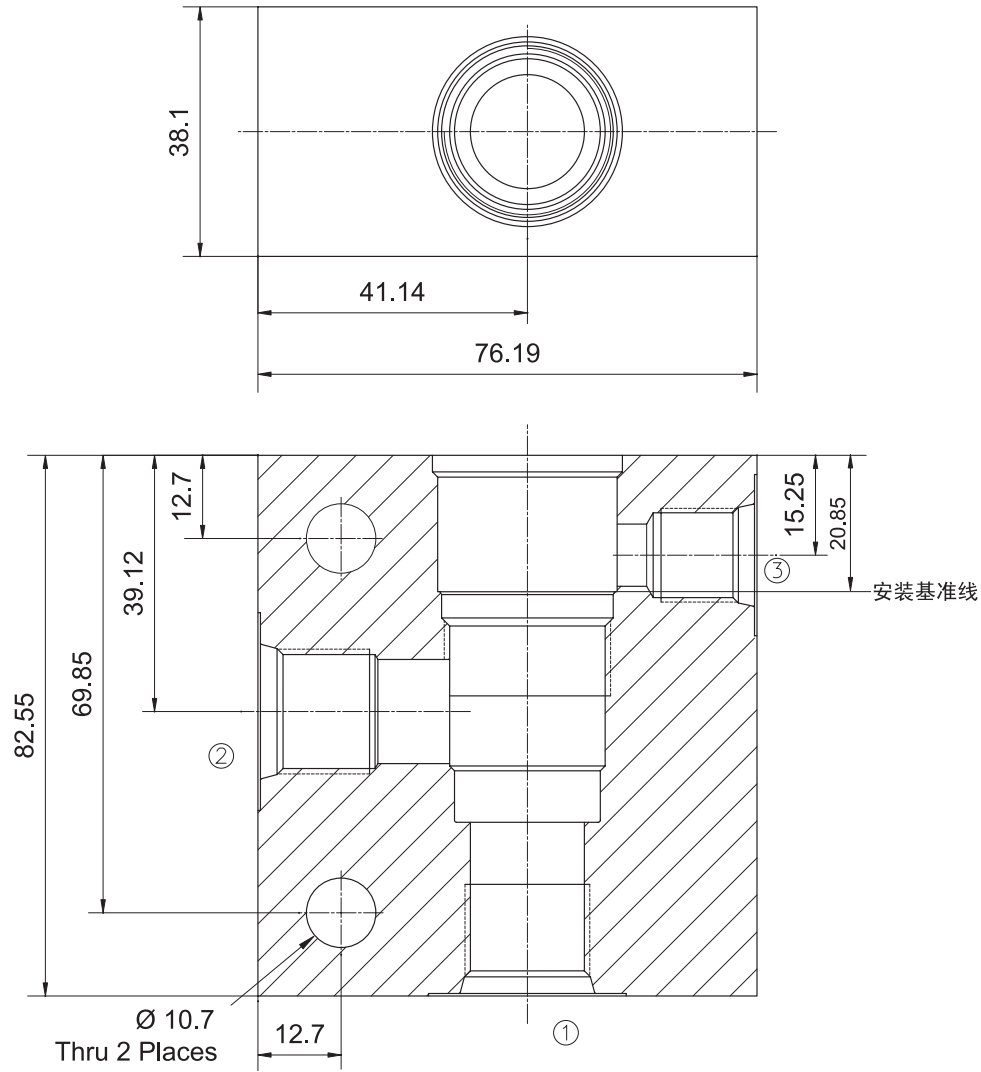


# 标准阀块

Series SUN T-2A Housings



Unit=Millimeters

Part No.	Ports 1 & 2	Port 3
LBCA	1/4" NPTF	1/4" NPTF
LBCB	3/8" NPTF	1/4" NPTF
LBCC	1/2" NPTF	1/4" NPTF
LBCD	3/4" NPTF	1/4" NPTF
LBCI	SAE 6	SAE 6
LBCJ	SAE 8	SAE 6
LBCK	SAE 10	SAE 6
LBCL	SAE 12	SAE 6
LBCT	G 1/4	G 1/4
LBCU	G 3/8	G 1/4
LBCV	G 1/2	G 1/4
LBCW	G 3/4	G 1/4

Material	Operating Pressure	Part No.
Aluminum,6061-T6	210 bar (3000 psi)	****
Steel	350 bar (5000 psi)	****-S