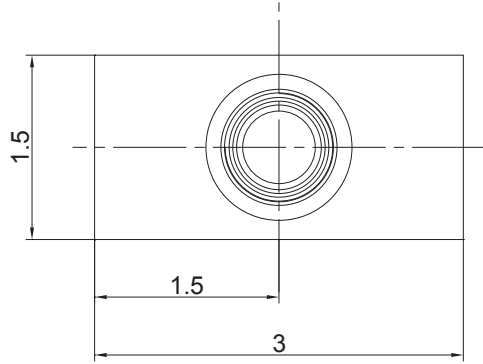


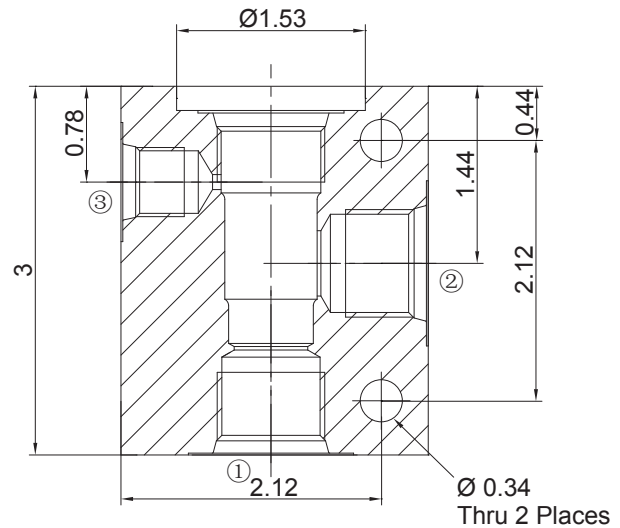
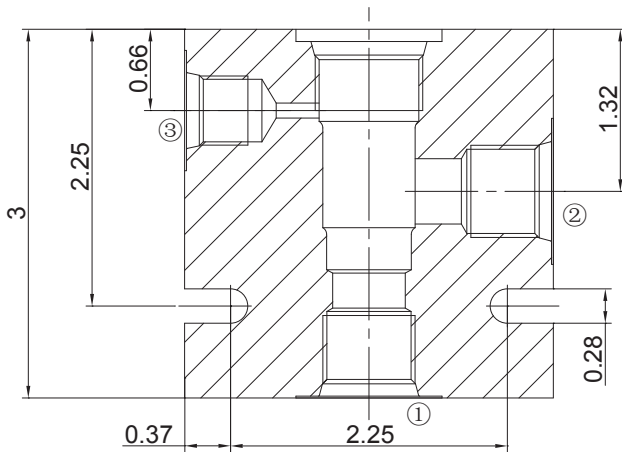
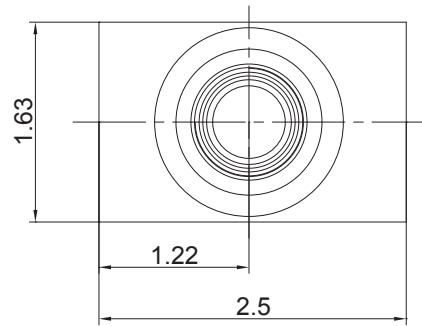
# 标准阀块

## Series 10 3S-WAY Housings

3-WAY 三通  
Aluminum(铝)



3-WAY 三通  
Steel (钢)



Unit=Inches

SERIES 10 3S-WAY HOUSINGS				
Part No.	Material	Operating Pressure	Ports 1&2	Port 3
LB10-3S-A-6T	Aluminum 6061-T6	210 bar (3000 psi)	SAE 6	SAE 6
LB10-3S-A-8T	Aluminum 6061-T6	210 bar (3000 psi)	SAE 8	SAE 6
LB10-3S-A-2G	Aluminum,6061-T6	210 bar (3000 psi)	G 1/4	G 1/4
LB10-3S-A-3G	Aluminum,6061-T6	210 bar (3000 psi)	G 3/8	
LB10-3S-A-4G	Aluminum,6061-T6	210 bar (3000 psi)	G 1/2	
LB10-3S-S-6T	Steel	350 bar (5000 psi)	SAE 6	SAE 6
LB10-3S-S-8T	Steel	350 bar (5000 psi)	SAE 8	
LB10-3S-S-10T	Steel	350 bar (5000 psi)	SAE 10	
LB10-3S-S-3G	Steel	350 bar (5000 psi)	G 3/8	G 1/4
LB10-3S-S-4G	Steel	350 bar (5000 psi)	G 1/2	

备注：标准钢阀块装我司 LPOC1-10-3S 时需要套筒扳手