

IFC-6T

流量控制阀， 压力补偿型， (固定节流孔)

说明 DESCRIPTION

An in-line non-adjustable pressure-compensated flow control valve

压力补偿型， 内嵌式流量阀

工作 OPERATION

The valve maintains a constant flow rate out of ② regardless of load pressure changes in the circuit downstream of ②. The fixed control orifice is factory preset to customer flow specification. Reverse flow (② to ①) returns through the control orifice and is non-compensated.

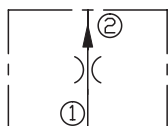
不管在②口的负载如何变化， ②口的流量都能保持在一定的范围内。固定节流孔大小根据客户流量要求而定。

反方向流动②到①， 没有压力补偿。

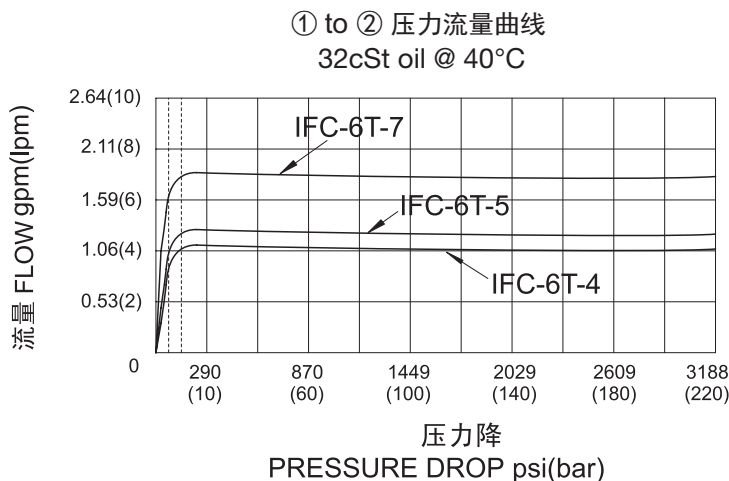
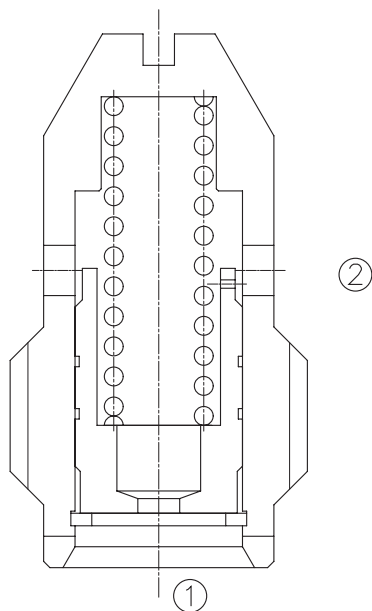
技术参数 SPECIFICATIONS

工作压力(Operating Pressure):	210bar
流量设定(Flow Setting):	1 l/min. min., 10 l/min. max.
流量控制精度(Flow Maintenance Accuracy):	Nominal flow ±15%
温度(Temperature):	-40°F to +250°F(-40°C to +120°C)
过滤(Filtration):	See page (参见) N-1
油液(Fluids):	Mineral-based fluids with viscosities of 7.4 to 420 cSt.(矿物油粘度)
阀块材料(Body Material):	6061-T6 aluminum alloy rated to 207bar, Steel & Ductile iron rated to 350bar 6061-T6铝,允许使用最大压力207bar 钢和球铁允许使用最大压力350bar

SYMBOL



压力 – 流量曲线 PRESSURE DROP VS.FLOW



订货代号 TO ORDER

IFC - 6T - * *

1 2 3

1 功能

IFC= 压力补偿型, 内嵌式流量阀
In-line Non-adjustable
Pressure-compensated Flow
Control Valve

2 规格 Size

6T=9/16-18

3 流量 Controlled Flow

1=1 L/min
2=2 L/min
3=3 L/min
4=4 L/min
5=5 L/min
6=6 L/min
7=7 L/min
8=8 L/min
9=9 L/min
10=10 L/min

F

安装尺寸 INSTALLATION DIMENSIONS

Unit=Millimeters

